

**MOTOR SPECIFICATION SHEET**

MODEL : SCF-QR 1/3HP 4P

USED FOR : STANDARD

DESCRIPTION	DETAIL			
PHASE	1			
TYPE	CAPACITOR START			
MODEL NAME	SCF-QR			
RATED OUTPUT, HP (kW)	1/3 (0.25)			
POLE	4			
CODE	MEATH CODE : 1M001C-400030QREU1			
OUTLINE DRAWING NO.	ONM74O538-A			
RATED VOLTAGE (V)	220	230	220	
RATED FREQUENCY (Hz)	50	50	60	
RATED CURRENT (A)	3.1	3.2	2.7	
RATED SPEED (min <sup>-1</sup> )	1420	1425	1710	
THERMAL CLASS	155(F)			
RATING	S1 (CONTINUOUS)			
ENCLOSURE CONSTRUCTION	TOTALLY ENCLOSED FAN COOLED			
DEGREES OF PROTECTION	IP55			
METHOD OF COOLING	IC411			
FRAME NO.	B71			
WEIGHT (kg)	8.4			
STANDARD	JEC-2137-2000			
INSTALLATION	FOOT MOUNTED			
ROTATION	CCW (VIEWED FROM SHAFT END)			
BEARING	LOAD SIDE : 6202ZZ			
	OPPOSITE SIDE : 6201ZZ			
BEARING GREASE	UREA GREASE			
NOISE (db.A)	63			
VIBRATION	V20			
CIRCUMSTANCE CONDITION	AMBIENT TEMPERATURE : -20 ~ +40°C			
	AMBIENT HUMIDITY : 95%RH OR LESS			
	ABOVE SEA LEVEL : 1000m OR LESS			
	ENVIRONMENT : NO BURSTING/EROSIVE GAS OR VAPOR			
COLOR	MUNSELL N1.5 (BLACK)			
TERMINAL BOX	NO. OF LEAD WIRES : 2			
	SOURCE CONNECTION : TERMINAL BLOCK			
SHAFT SWING	≤0.03mm			
MATERIAL	FRAME : STEEL PLATE			
	BRACKET : STEEL PLATE			
	SHAFT : CARBON STEEL			
	STATOR CORE : ELECTRICAL STEEL			
	WIRE : ENAMELLED COPPER MAGNET WIRE			
	ROTOR CORE : ELECTRICAL STEEL			
	CONDUCTOR : ALUMINIUM			
	TERMINAL BOX : STEEL PLATE			
PRODUCTION COUNTRY	PAINTING : POLYURETHANE RESIN			
	THAILAND			

Specifications subject to change without notice.

**SPECIFICATION SHEET NO.**

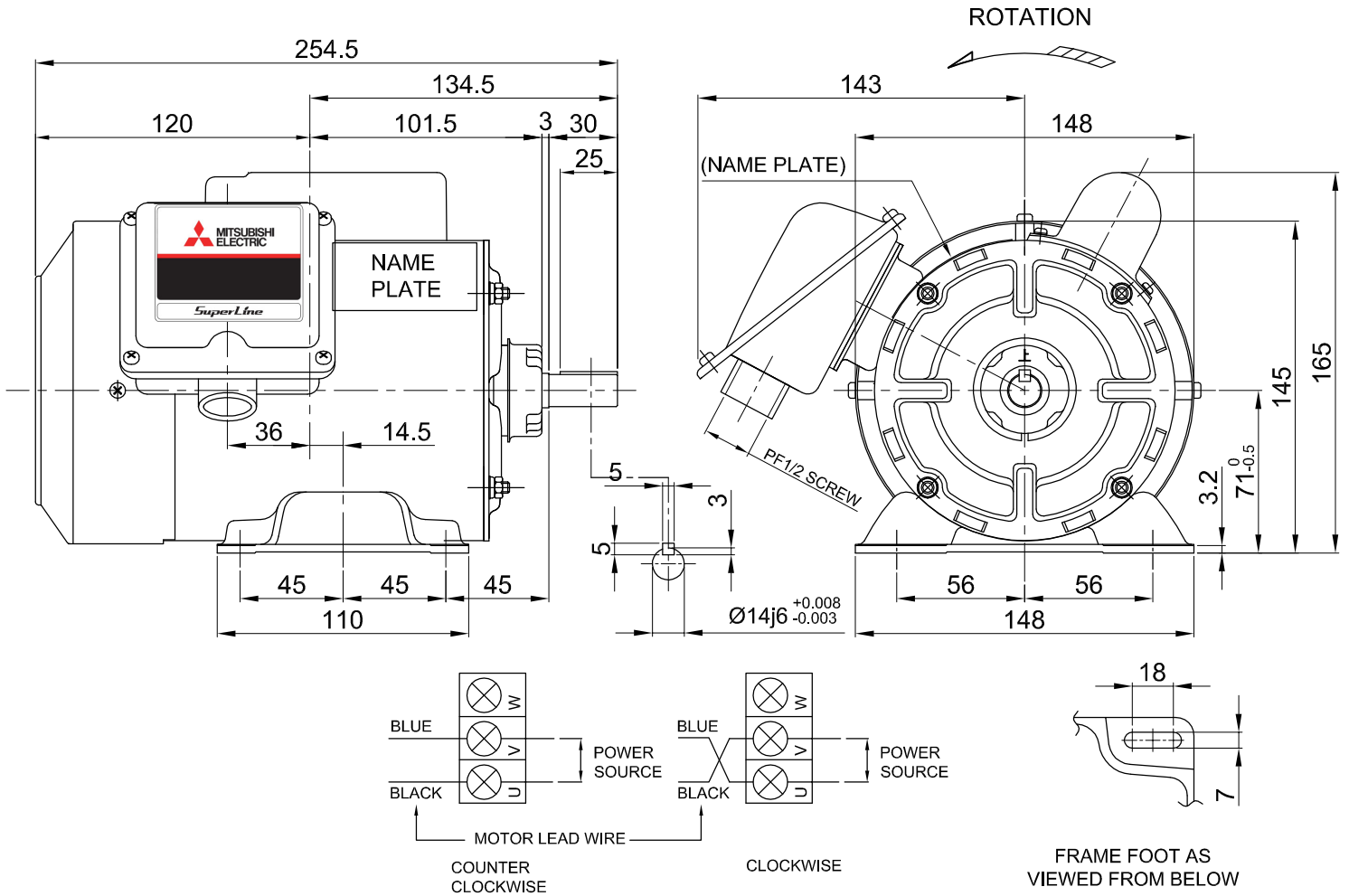
SS-N-7165-B

# MODEL SCF-QR SINGLE PHASE INDUCTION MOTOR OUTLINE DRAWING

CAPACITOR START TYPE  
 TOTALLY ENCLOSED FAN COOLED  
 DEGREES OF PROTECTION IP55  
 DUST & WATER JET PROOF

STARTING CAPACITOR 80 $\mu$ F 250VAC

CUSTOMER \_\_\_\_\_  
 USER \_\_\_\_\_  
 FOR \_\_\_\_\_  
 CUSTOMER'S \_\_\_\_\_  
 ORDER NO. \_\_\_\_\_  
 QUANTITY \_\_\_\_\_  
 MFG. \_\_\_\_\_  
 ORDER NO. \_\_\_\_\_

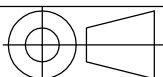


DIRECTION OF ROTATION FROM LOAD SIDE

FRAME SIZE	RATING	TH. CLASS	AMB. TEMP	BEARINGS		COLOR	DIRECTION OF ROTATION	NO. OF LEAS WIRE
				LOAD SIDE	OPP SIDE			
B71	S1	155(F)	40°C	6202ZZ	6201ZZ	BLACK (MUNSELL N1.5)	CCW	2 WITH TERMINAL BOARD

OUTPUT		POLE	VOLT	HERTZ	AMP	RPM	REMARK
HP	kW						
1/3	0.25	4	220/230	50	3.1/3.2	1420/1425	
			220	60	2.7	1710	

MITSUBISHI ELECTRIC AUTOMATION (THAILAND) CO.,LTD



DIMENSION IN mm.

SCALE : NTS

OUTLINE DRAWING NO.

ONM740538

REV.

A